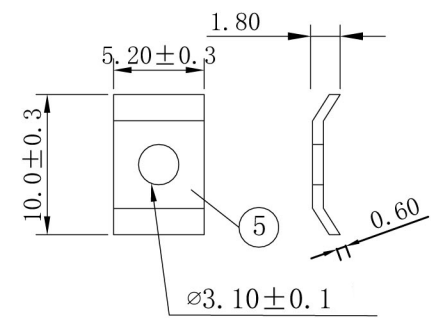
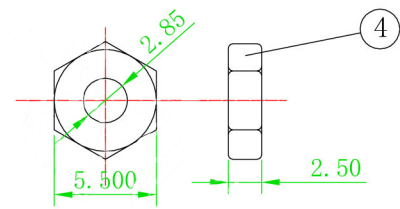
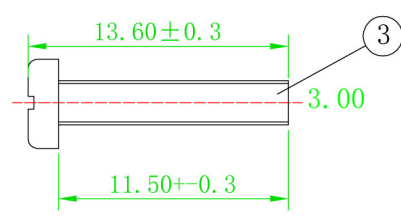
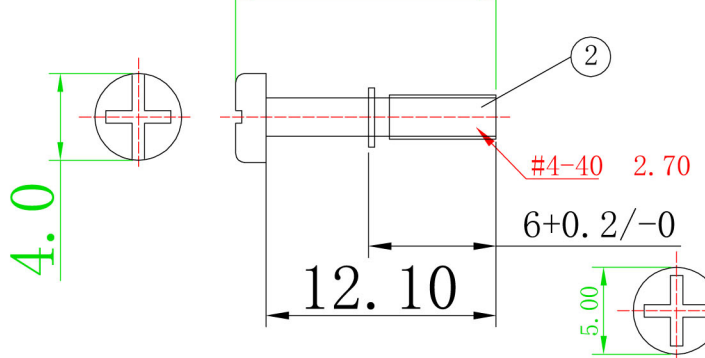
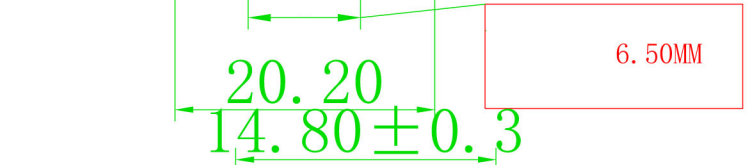


D-SUB09P

| | | | |
|---|--|-------|-----|
| ① | | 1 SET | ABS |
| ② | | 2 PCS | |
| ③ | | 2 PCS | |
| ④ | | 2 PCS | |
| ⑤ | | 2 PCS | |
| | | | |
| | | | |



| | | |
|-----------------|--|----------|
| F-3-MIN-001-010 | | |
| 00 | | 20120220 |
| | | |

Show Me
CABLES
cables & connectors since 1995

SCALE

ANGLE

DB9 & HD15 VGA Hood - Plastic

Part NO: 1102